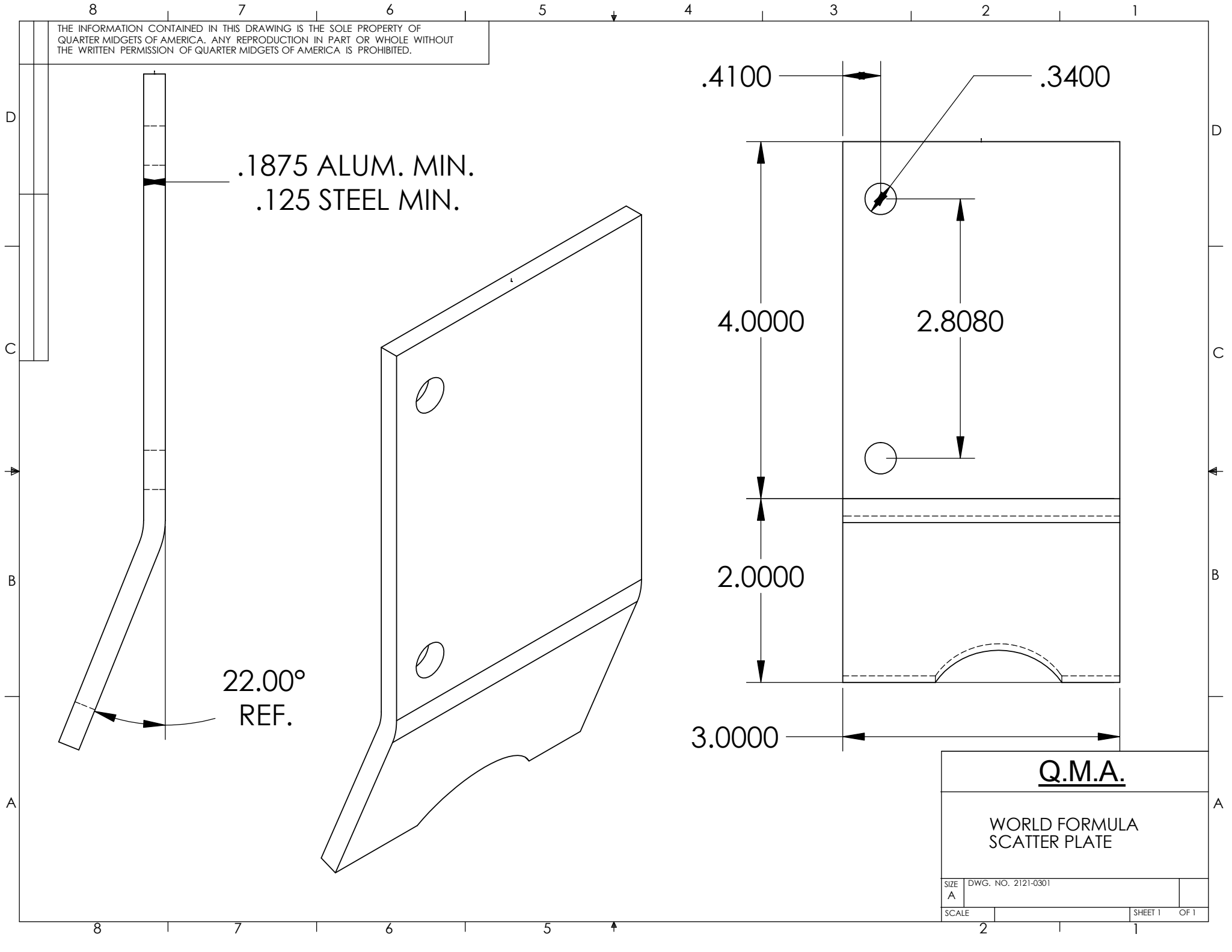


THE INFORMATION CONTAINED IN THIS DRAWING IS THE SOLE PROPERTY OF
QUARTER MIDGETS OF AMERICA. ANY REPRODUCTION IN PART OR WHOLE WITHOUT
THE WRITTEN PERMISSION OF QUARTER MIDGETS OF AMERICA IS PROHIBITED.



<u>Q.M.A.</u>	
WORLD FORMULA SCATTER PLATE	
SIZE A	DWG. NO. 2121-0301
SCALE	SHEET 1 OF 1